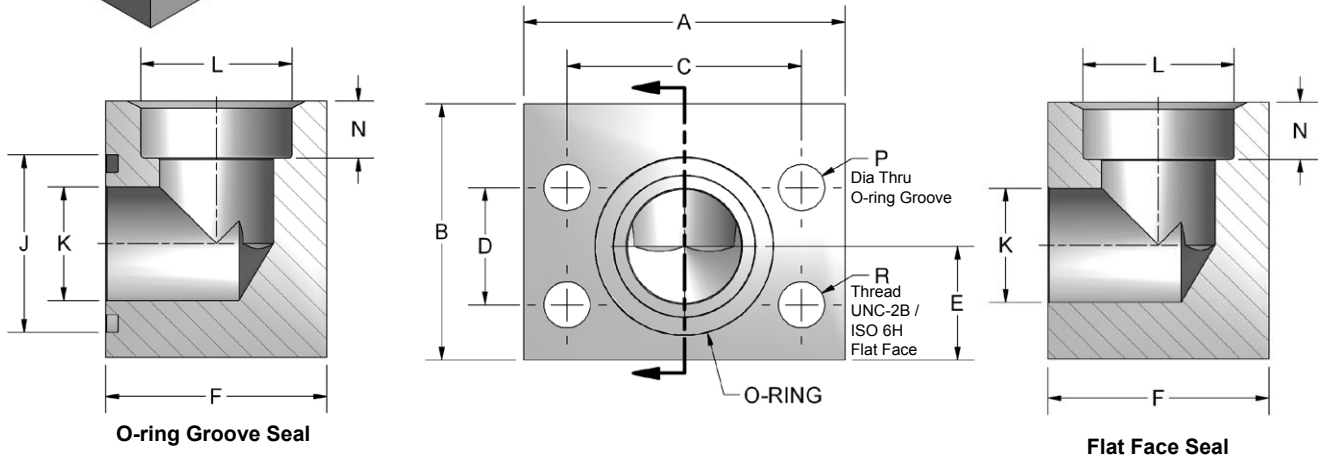
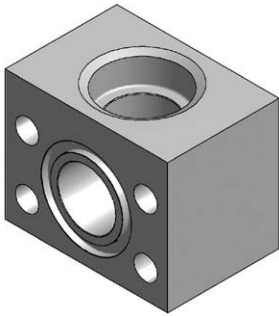


Socket Weld Pipe Elbow

Stainless Steel



Ordering Information

| FG | Flange Size | Material | Product Type | Seal | Rating Code | Pipe Size | Port Type | Mounting | | | | | | | | | | | | | | | | | | | | | | | | | | | | | | | | | | | | | | | | | | | | | | | | | | | | | | | | | | | | | | | | | | | | | | | | | | | | | | | | |
|---|---|-------------|--------------|--------------------|-------------|-----------|-----------|----------|-------|----|-------|----|-------|----|-------|----|-------|--------------------|--|----|-------|----|-------|---|----------|--|---|-----------------|---|--------------|--|---|-------------------|--|------|--|---|---------------|---|-----------|---|-------------|--|---|---|---|---|---|-----------|--|---|--|----|-------|----|-------|----|-------|----|-------|----|-------|----|-------|----|-------|----|-------|---|-----------|--|---|------------------|--|----------|--|------------------|--|---|------------------|---|---------------------|------------------|--|---|---------------------------------------|---|--|
| | <table border="1"> <thead> <tr> <th colspan="2">Flange Size</th> </tr> <tr> <td colspan="2">Rating code 1 or 2</td> </tr> <tr> <td>08</td> <td>0.50"</td> </tr> <tr> <td>12</td> <td>0.75"</td> </tr> <tr> <td>16</td> <td>1.00"</td> </tr> <tr> <td>20</td> <td>1.25"</td> </tr> <tr> <td>24</td> <td>1.50"</td> </tr> <tr> <td>32</td> <td>2.00"</td> </tr> <tr> <td colspan="2">Rating code 1 only</td> </tr> <tr> <td>40</td> <td>2.50"</td> </tr> <tr> <td>48</td> <td>3.00"</td> </tr> </thead></table> | Flange Size | | Rating code 1 or 2 | | 08 | 0.50" | 12 | 0.75" | 16 | 1.00" | 20 | 1.25" | 24 | 1.50" | 32 | 2.00" | Rating code 1 only | | 40 | 2.50" | 48 | 3.00" | <table border="1"> <thead> <tr> <th colspan="2">Material</th> </tr> <tr> <td>S</td> <td>Stainless Steel</td> </tr> </thead></table> | Material | | S | Stainless Steel | <table border="1"> <thead> <tr> <th colspan="2">Product Type</th> </tr> <tr> <td>L</td> <td>Socket Weld Elbow</td> </tr> </thead></table> | Product Type | | L | Socket Weld Elbow | <table border="1"> <thead> <tr> <th colspan="2">Seal</th> </tr> <tr> <td>G</td> <td>O-ring Groove</td> </tr> <tr> <td>F</td> <td>Flat Face</td> </tr> </thead></table> | Seal | | G | O-ring Groove | F | Flat Face | <table border="1"> <thead> <tr> <th colspan="2">Rating Code</th> </tr> <tr> <td>1</td> <td>Code 61 • SAE J518 3.5 - 35 MPa • ISO 6162-1</td> </tr> <tr> <td>2</td> <td>Code 62 • SAE J518 40 MPa • ISO 6162-2</td> </tr> </thead></table> | Rating Code | | 1 | Code 61 • SAE J518 3.5 - 35 MPa • ISO 6162-1 | 2 | Code 62 • SAE J518 40 MPa • ISO 6162-2 | <table border="1"> <thead> <tr> <th colspan="2">Pipe Size</th> </tr> <tr> <td colspan="2">Not all pipe sizes are available for each flange size. See chart next page.</td> </tr> <tr> <td>08</td> <td>0.50"</td> </tr> <tr> <td>12</td> <td>0.75"</td> </tr> <tr> <td>16</td> <td>1.00"</td> </tr> <tr> <td>20</td> <td>1.25"</td> </tr> <tr> <td>24</td> <td>1.50"</td> </tr> <tr> <td>32</td> <td>2.00"</td> </tr> <tr> <td>40</td> <td>2.50"</td> </tr> <tr> <td>48</td> <td>3.00"</td> </tr> </thead></table> | Pipe Size | | Not all pipe sizes are available for each flange size. See chart next page. | | 08 | 0.50" | 12 | 0.75" | 16 | 1.00" | 20 | 1.25" | 24 | 1.50" | 32 | 2.00" | 40 | 2.50" | 48 | 3.00" | <table border="1"> <thead> <tr> <th colspan="2">Port Type</th> </tr> <tr> <td>P</td> <td>Pipe Socket Weld</td> </tr> </thead></table> | Port Type | | P | Pipe Socket Weld | <table border="1"> <thead> <tr> <th colspan="2">Mounting</th> </tr> <tr> <td colspan="2">Seal code G only</td> </tr> <tr> <td>U</td> <td>UNC mounting kit</td> </tr> <tr> <td>M</td> <td>Metric mounting kit</td> </tr> <tr> <td colspan="2">Seal code G or F</td> </tr> <tr> <td>X</td> <td>No kit included UNC mounting holes</td> </tr> <tr> <td>Y</td> <td>No kit included Metric mounting holes</td> </tr> </thead></table> | Mounting | | Seal code G only | | U | UNC mounting kit | M | Metric mounting kit | Seal code G or F | | X | No kit included UNC mounting holes | Y | No kit included Metric mounting holes |
| Flange Size | | | | | | | | | | | | | | | | | | | | | | | | | | | | | | | | | | | | | | | | | | | | | | | | | | | | | | | | | | | | | | | | | | | | | | | | | | | | | | | | | | | | | | | | |
| Rating code 1 or 2 | | | | | | | | | | | | | | | | | | | | | | | | | | | | | | | | | | | | | | | | | | | | | | | | | | | | | | | | | | | | | | | | | | | | | | | | | | | | | | | | | | | | | | | | |
| 08 | 0.50" | | | | | | | | | | | | | | | | | | | | | | | | | | | | | | | | | | | | | | | | | | | | | | | | | | | | | | | | | | | | | | | | | | | | | | | | | | | | | | | | | | | | | | | |
| 12 | 0.75" | | | | | | | | | | | | | | | | | | | | | | | | | | | | | | | | | | | | | | | | | | | | | | | | | | | | | | | | | | | | | | | | | | | | | | | | | | | | | | | | | | | | | | | |
| 16 | 1.00" | | | | | | | | | | | | | | | | | | | | | | | | | | | | | | | | | | | | | | | | | | | | | | | | | | | | | | | | | | | | | | | | | | | | | | | | | | | | | | | | | | | | | | | |
| 20 | 1.25" | | | | | | | | | | | | | | | | | | | | | | | | | | | | | | | | | | | | | | | | | | | | | | | | | | | | | | | | | | | | | | | | | | | | | | | | | | | | | | | | | | | | | | | |
| 24 | 1.50" | | | | | | | | | | | | | | | | | | | | | | | | | | | | | | | | | | | | | | | | | | | | | | | | | | | | | | | | | | | | | | | | | | | | | | | | | | | | | | | | | | | | | | | |
| 32 | 2.00" | | | | | | | | | | | | | | | | | | | | | | | | | | | | | | | | | | | | | | | | | | | | | | | | | | | | | | | | | | | | | | | | | | | | | | | | | | | | | | | | | | | | | | | |
| Rating code 1 only | | | | | | | | | | | | | | | | | | | | | | | | | | | | | | | | | | | | | | | | | | | | | | | | | | | | | | | | | | | | | | | | | | | | | | | | | | | | | | | | | | | | | | | | |
| 40 | 2.50" | | | | | | | | | | | | | | | | | | | | | | | | | | | | | | | | | | | | | | | | | | | | | | | | | | | | | | | | | | | | | | | | | | | | | | | | | | | | | | | | | | | | | | | |
| 48 | 3.00" | | | | | | | | | | | | | | | | | | | | | | | | | | | | | | | | | | | | | | | | | | | | | | | | | | | | | | | | | | | | | | | | | | | | | | | | | | | | | | | | | | | | | | | |
| Material | | | | | | | | | | | | | | | | | | | | | | | | | | | | | | | | | | | | | | | | | | | | | | | | | | | | | | | | | | | | | | | | | | | | | | | | | | | | | | | | | | | | | | | | |
| S | Stainless Steel | | | | | | | | | | | | | | | | | | | | | | | | | | | | | | | | | | | | | | | | | | | | | | | | | | | | | | | | | | | | | | | | | | | | | | | | | | | | | | | | | | | | | | | |
| Product Type | | | | | | | | | | | | | | | | | | | | | | | | | | | | | | | | | | | | | | | | | | | | | | | | | | | | | | | | | | | | | | | | | | | | | | | | | | | | | | | | | | | | | | | | |
| L | Socket Weld Elbow | | | | | | | | | | | | | | | | | | | | | | | | | | | | | | | | | | | | | | | | | | | | | | | | | | | | | | | | | | | | | | | | | | | | | | | | | | | | | | | | | | | | | | | |
| Seal | | | | | | | | | | | | | | | | | | | | | | | | | | | | | | | | | | | | | | | | | | | | | | | | | | | | | | | | | | | | | | | | | | | | | | | | | | | | | | | | | | | | | | | | |
| G | O-ring Groove | | | | | | | | | | | | | | | | | | | | | | | | | | | | | | | | | | | | | | | | | | | | | | | | | | | | | | | | | | | | | | | | | | | | | | | | | | | | | | | | | | | | | | | |
| F | Flat Face | | | | | | | | | | | | | | | | | | | | | | | | | | | | | | | | | | | | | | | | | | | | | | | | | | | | | | | | | | | | | | | | | | | | | | | | | | | | | | | | | | | | | | | |
| Rating Code | | | | | | | | | | | | | | | | | | | | | | | | | | | | | | | | | | | | | | | | | | | | | | | | | | | | | | | | | | | | | | | | | | | | | | | | | | | | | | | | | | | | | | | | |
| 1 | Code 61 • SAE J518 3.5 - 35 MPa • ISO 6162-1 | | | | | | | | | | | | | | | | | | | | | | | | | | | | | | | | | | | | | | | | | | | | | | | | | | | | | | | | | | | | | | | | | | | | | | | | | | | | | | | | | | | | | | | |
| 2 | Code 62 • SAE J518 40 MPa • ISO 6162-2 | | | | | | | | | | | | | | | | | | | | | | | | | | | | | | | | | | | | | | | | | | | | | | | | | | | | | | | | | | | | | | | | | | | | | | | | | | | | | | | | | | | | | | | |
| Pipe Size | | | | | | | | | | | | | | | | | | | | | | | | | | | | | | | | | | | | | | | | | | | | | | | | | | | | | | | | | | | | | | | | | | | | | | | | | | | | | | | | | | | | | | | | |
| Not all pipe sizes are available for each flange size. See chart next page. | | | | | | | | | | | | | | | | | | | | | | | | | | | | | | | | | | | | | | | | | | | | | | | | | | | | | | | | | | | | | | | | | | | | | | | | | | | | | | | | | | | | | | | | |
| 08 | 0.50" | | | | | | | | | | | | | | | | | | | | | | | | | | | | | | | | | | | | | | | | | | | | | | | | | | | | | | | | | | | | | | | | | | | | | | | | | | | | | | | | | | | | | | | |
| 12 | 0.75" | | | | | | | | | | | | | | | | | | | | | | | | | | | | | | | | | | | | | | | | | | | | | | | | | | | | | | | | | | | | | | | | | | | | | | | | | | | | | | | | | | | | | | | |
| 16 | 1.00" | | | | | | | | | | | | | | | | | | | | | | | | | | | | | | | | | | | | | | | | | | | | | | | | | | | | | | | | | | | | | | | | | | | | | | | | | | | | | | | | | | | | | | | |
| 20 | 1.25" | | | | | | | | | | | | | | | | | | | | | | | | | | | | | | | | | | | | | | | | | | | | | | | | | | | | | | | | | | | | | | | | | | | | | | | | | | | | | | | | | | | | | | | |
| 24 | 1.50" | | | | | | | | | | | | | | | | | | | | | | | | | | | | | | | | | | | | | | | | | | | | | | | | | | | | | | | | | | | | | | | | | | | | | | | | | | | | | | | | | | | | | | | |
| 32 | 2.00" | | | | | | | | | | | | | | | | | | | | | | | | | | | | | | | | | | | | | | | | | | | | | | | | | | | | | | | | | | | | | | | | | | | | | | | | | | | | | | | | | | | | | | | |
| 40 | 2.50" | | | | | | | | | | | | | | | | | | | | | | | | | | | | | | | | | | | | | | | | | | | | | | | | | | | | | | | | | | | | | | | | | | | | | | | | | | | | | | | | | | | | | | | |
| 48 | 3.00" | | | | | | | | | | | | | | | | | | | | | | | | | | | | | | | | | | | | | | | | | | | | | | | | | | | | | | | | | | | | | | | | | | | | | | | | | | | | | | | | | | | | | | | |
| Port Type | | | | | | | | | | | | | | | | | | | | | | | | | | | | | | | | | | | | | | | | | | | | | | | | | | | | | | | | | | | | | | | | | | | | | | | | | | | | | | | | | | | | | | | | |
| P | Pipe Socket Weld | | | | | | | | | | | | | | | | | | | | | | | | | | | | | | | | | | | | | | | | | | | | | | | | | | | | | | | | | | | | | | | | | | | | | | | | | | | | | | | | | | | | | | | |
| Mounting | | | | | | | | | | | | | | | | | | | | | | | | | | | | | | | | | | | | | | | | | | | | | | | | | | | | | | | | | | | | | | | | | | | | | | | | | | | | | | | | | | | | | | | | |
| Seal code G only | | | | | | | | | | | | | | | | | | | | | | | | | | | | | | | | | | | | | | | | | | | | | | | | | | | | | | | | | | | | | | | | | | | | | | | | | | | | | | | | | | | | | | | | |
| U | UNC mounting kit | | | | | | | | | | | | | | | | | | | | | | | | | | | | | | | | | | | | | | | | | | | | | | | | | | | | | | | | | | | | | | | | | | | | | | | | | | | | | | | | | | | | | | | |
| M | Metric mounting kit | | | | | | | | | | | | | | | | | | | | | | | | | | | | | | | | | | | | | | | | | | | | | | | | | | | | | | | | | | | | | | | | | | | | | | | | | | | | | | | | | | | | | | | |
| Seal code G or F | | | | | | | | | | | | | | | | | | | | | | | | | | | | | | | | | | | | | | | | | | | | | | | | | | | | | | | | | | | | | | | | | | | | | | | | | | | | | | | | | | | | | | | | |
| X | No kit included UNC mounting holes | | | | | | | | | | | | | | | | | | | | | | | | | | | | | | | | | | | | | | | | | | | | | | | | | | | | | | | | | | | | | | | | | | | | | | | | | | | | | | | | | | | | | | | |
| Y | No kit included Metric mounting holes | | | | | | | | | | | | | | | | | | | | | | | | | | | | | | | | | | | | | | | | | | | | | | | | | | | | | | | | | | | | | | | | | | | | | | | | | | | | | | | | | | | | | | | |



Socket Weld Pipe Elbow

Stainless Steel

| CODE 61 SOCKET WELD PIPE ELBOW | | | | | | | | | | | | | | | | | | |
|--------------------------------|-----------|------|------|-------|-------|------|------|-------|------|-------|------|-----------------|-----------------|---------------|---------------|------------------------|---------------|--------------|
| FLANGE SIZE | PIPE SIZE | A | B | C | D | E | F | J | K | L | N | P DIA THRU | | R THREAD | | MOUNTING HARDWARE SHCS | | |
| | | | | | | | | | | | | Mounting U or X | Mounting M or Y | UNC-2B U or X | ISO 6H M or Y | O-RING | Mounting U | Mounting M |
| .50 | .50 | 2.12 | 1.75 | 1.500 | .688 | .75 | 1.44 | 1.000 | .50 | .855 | .380 | .344 | 8.5mm | 0.313-18 | M8-1.25 | 210 | 0.313-18X2.00 | M8-1.25x50 |
| .75 | .75 | 2.62 | 2.00 | 1.875 | .875 | .88 | 1.70 | 1.250 | .75 | 1.062 | .500 | .406 | 10.5mm | 0.375-16 | M10-1.5 | 214 | 0.375-16X2.50 | M10-1.5x65 |
| 1.00 | 1.00 | 2.82 | 2.25 | 2.062 | 1.031 | 1.00 | 1.94 | 1.560 | 1.00 | 1.328 | .500 | .406 | 10.5mm | 0.375-16 | M10-1.5 | 219 | 0.375-16X2.75 | M10-1.5x70 |
| 1.25 | 1.25 | 3.19 | 2.75 | 2.312 | 1.188 | 1.25 | 2.40 | 1.750 | 1.25 | 1.672 | .500 | .469 | 10.5mm | 0.438-14 | M10-1.5 | 222 | 0.438-14X3.00 | M10-1.5x75 |
| 1.50 | 1.50 | 3.75 | 3.00 | 2.750 | 1.406 | 1.38 | 2.90 | 2.115 | 1.50 | 1.922 | .500 | .531 | 12.5mm | 0.500-13 | M12-1.75 | 225 | 0.500-13X4.00 | M12-1.75x100 |
| 2.00 | 2.00 | 4.00 | 3.50 | 3.062 | 1.688 | 1.62 | 3.40 | 2.490 | 2.00 | 2.406 | .500 | .531 | 12.5mm | 0.500-13 | M12-1.75 | 228 | 0.500-13X4.50 | M12-1.75x110 |
| 2.50 | 2.50 | 4.50 | 4.00 | 3.500 | 2.000 | 2.00 | 3.96 | 2.995 | 2.50 | 2.906 | .500 | .531 | 12.5mm | 0.500-13 | M12-1.75 | 232 | 0.500-13X5.00 | M12-1.75x130 |
| 3.00 | 3.00 | 5.31 | 5.00 | 4.188 | 2.438 | 2.25 | 4.96 | 3.615 | 3.00 | 3.547 | .625 | .656 | 16.5mm | 0.625-11 | M16-2.0 | 237 | 0.625-11X6.00 | M16-2.0x150 |

| CODE 62 SOCKET WELD PIPE ELBOW | | | | | | | | | | | | | | | | | | |
|--------------------------------|-----------|------|------|-------|-------|------|------|-------|------|-------|------|-----------------|-----------------|---------------|---------------|------------------------|---------------|-------------|
| FLANGE SIZE | PIPE SIZE | A | B | C | D | E | F | J | K | L | N | P DIA THRU | | R THREAD | | MOUNTING HARDWARE SHCS | | |
| | | | | | | | | | | | | Mounting U or X | Mounting M or Y | UNC-2B U or X | ISO 6H M or Y | O-RING | Mounting U | Mounting M |
| .50 | .50 | 2.22 | 2.00 | 1.594 | .718 | .88 | 1.46 | 1.000 | .50 | .860 | .380 | .344 | 8.5mm | 0.313-18 | M8-1.25 | 210 | 0.313-18X2.25 | M8-1.25x55 |
| .75 | .75 | 2.81 | 2.25 | 2.000 | .937 | 1.00 | 1.70 | 1.250 | .75 | 1.062 | .500 | .406 | 10.5mm | 0.375-16 | M10-1.5 | 214 | 0.375-16X2.50 | M10-1.5x65 |
| 1.00 | 1.00 | 3.19 | 2.50 | 2.250 | 1.093 | 1.12 | 2.21 | 1.560 | 1.00 | 1.328 | .500 | .492 | 12.5mm | 0.438-14 | M10-1.75 | 219 | 0.438-14X3.25 | M12-1.75x80 |
| 1.25 | 1.25 | 3.75 | 3.00 | 2.625 | 1.250 | 1.38 | 2.44 | 1.750 | 1.25 | 1.672 | .500 | .531 | 12.5mm | 0.500-13 | M12-1.75 | 222 | 0.500-13X3.25 | M12-1.75x80 |
| 1.50 | 1.50 | 4.50 | 3.50 | 3.125 | 1.437 | 1.62 | 2.96 | 2.115 | 1.50 | 1.922 | .500 | .656 | 16.5mm | 0.625-11 | M16-2.0 | 225 | 0.625-11X4.25 | M16-2.0x100 |
| 2.00 | 2.00 | 5.25 | 4.00 | 3.812 | 1.750 | 2.00 | 3.46 | 2.490 | 2.00 | 2.406 | .500 | .781 | 21.0mm | 0.750-10 | M20-2.5 | 228 | 0.750-10X5.00 | M20-2.5x130 |

Pressure Ratings and Fastener Torque Values

| CODE 61 SAE J518-1 / ISO 6162-1 | | | | | | |
|---------------------------------|-----------|----------------------|------|-----------------------|-------------------------|--|
| Dash Size | Inch Size | Max Working Pressure | | Fastener Torque Value | | |
| | | PSI | MPa | Grade 8 UNC (lb-ft) | Grade 10.9 Metric (N-m) | |
| -8 | 0.50" | 5000 | 35.0 | 24 | 32 | |
| -12 | 0.75" | 5000 | 35.0 | 44 | 70 | |
| -16 | 1.00" | 4600 | 32.0 | 44 | 70 | |
| -20 | 1.25" | 4000 | 28.0 | 68 | 70 | |
| -24 | 1.50" | 3000 | 21.0 | 111 | 130 | |
| -32 | 2.00" | 3000 | 21.0 | 111 | 130 | |
| -40 | 2.50" | 2500 | 17.5 | 111 | 130 | |
| -48 | 3.00" | 2300 | 16.0 | 218 | 295 | |
| -56 | 3.50" | 500 | 3.5 | 218 | 295 | |
| -64 | 4.00" | 500 | 3.5 | 218 | 295 | |
| -80 | 5.00" | 500 | 3.5 | 218 | 295 | |

| CODE 62 SAE J518-2 / ISO 6162-2 | | | | | | |
|---------------------------------|-----------|----------------------|------|-----------------------|-------------------------|--|
| Dash Size | Inch Size | Max Working Pressure | | Fastener Torque Value | | |
| | | PSI | MPa | Grade 8 UNC (lb-ft) | Grade 10.9 Metric (N-m) | |
| -8 | 0.50" | 6000 | 40.0 | 24 | 32 | |
| -12 | 0.75" | 6000 | 40.0 | 44 | 70 | |
| -16 | 1.00" | 6000 | 40.0 | 68 | 130 | |
| -20 | 1.25" | 6000 | 40.0 | 111 | 130 | |
| -24 | 1.50" | 6000 | 40.0 | 218 | 295 | |
| -32 | 2.00" | 6000 | 40.0 | 332 | 550 | |

Please note that all pressure ratings in this catalog refer to the flange connection. Adapting the flange to other connections, such as braze tube, welded pipe, or threaded ports / stud ends could reduce maximum working pressure.