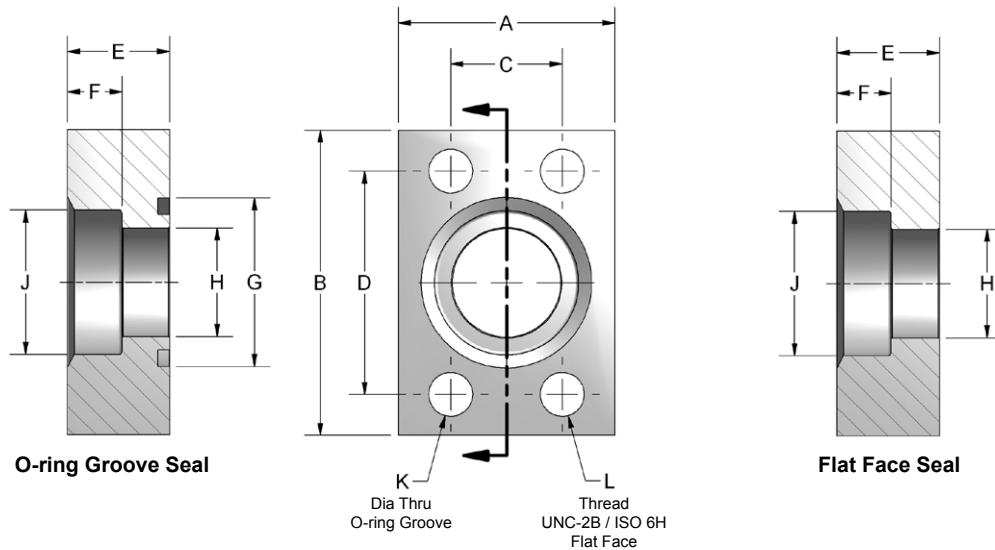
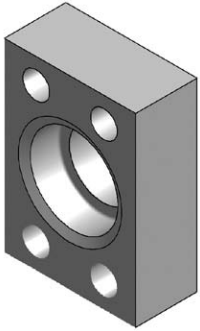


Flat Socket Weld Pipe

Stainless Steel



Ordering Information

FG	Flange Size	Material	Product Type	Seal	Rating Code	Pipe Size	Thread Type	Mounting																																																																																												
	<table border="1"> <thead> <tr> <th colspan="2">Flange Size</th> </tr> <tr> <td colspan="2">Rating code 1 or 2</td> </tr> <tr> <td>08</td> <td>0.50"</td> </tr> <tr> <td>12</td> <td>0.75"</td> </tr> <tr> <td>16</td> <td>1.00"</td> </tr> <tr> <td>20</td> <td>1.25"</td> </tr> <tr> <td>24</td> <td>1.50"</td> </tr> <tr> <td>32</td> <td>2.00"</td> </tr> <tr> <td>40</td> <td>2.50"</td> </tr> <tr> <td colspan="2">Rating code 1, 2 or 5</td> </tr> <tr> <td>48</td> <td>3.00"</td> </tr> <tr> <td colspan="2">Rating code 1 only</td> </tr> <tr> <td>56</td> <td>3.50"</td> </tr> <tr> <td>64</td> <td>4.00"</td> </tr> </thead></table>	Flange Size		Rating code 1 or 2		08	0.50"	12	0.75"	16	1.00"	20	1.25"	24	1.50"	32	2.00"	40	2.50"	Rating code 1, 2 or 5		48	3.00"	Rating code 1 only		56	3.50"	64	4.00"	<table border="1"> <thead> <tr> <th colspan="2">Material</th> </tr> <tr> <td>S</td> <td>Stainless Steel</td> </tr> </thead></table>	Material		S	Stainless Steel	<table border="1"> <thead> <tr> <th colspan="2">Product Type</th> </tr> <tr> <td>W</td> <td>Flat Socket Weld</td> </tr> </thead></table>	Product Type		W	Flat Socket Weld	<table border="1"> <thead> <tr> <th colspan="2">Seal</th> </tr> <tr> <td>G</td> <td>O-ring Groove</td> </tr> <tr> <td>F</td> <td>Flat Face</td> </tr> </thead></table>	Seal		G	O-ring Groove	F	Flat Face	<table border="1"> <thead> <tr> <th colspan="2">Rating Code</th> </tr> <tr> <td>1</td> <td>Code 61 • SAE J518 3.5 - 35 MPa • ISO 6162-1</td> </tr> <tr> <td>2</td> <td>Code 62 • SAE J518 40 MPa • ISO 6162-2</td> </tr> <tr> <td>5</td> <td>500 PSI max for size -48 only</td> </tr> </thead></table>	Rating Code		1	Code 61 • SAE J518 3.5 - 35 MPa • ISO 6162-1	2	Code 62 • SAE J518 40 MPa • ISO 6162-2	5	500 PSI max for size -48 only	<table border="1"> <thead> <tr> <th colspan="2">Pipe Size</th> </tr> <tr> <td colspan="2">Not all pipe sizes are available for each flange size. See chart next page.</td> </tr> <tr> <td>08</td> <td>0.50"</td> </tr> <tr> <td>12</td> <td>0.75"</td> </tr> <tr> <td>16</td> <td>1.00"</td> </tr> <tr> <td>20</td> <td>1.25"</td> </tr> <tr> <td>24</td> <td>1.50"</td> </tr> <tr> <td>32</td> <td>2.00"</td> </tr> <tr> <td>40</td> <td>2.50"</td> </tr> <tr> <td>48</td> <td>3.00"</td> </tr> <tr> <td>56</td> <td>3.50"</td> </tr> <tr> <td>64</td> <td>4.00"</td> </tr> </thead></table>	Pipe Size		Not all pipe sizes are available for each flange size. See chart next page.		08	0.50"	12	0.75"	16	1.00"	20	1.25"	24	1.50"	32	2.00"	40	2.50"	48	3.00"	56	3.50"	64	4.00"	<table border="1"> <thead> <tr> <th colspan="2">Port Type</th> </tr> <tr> <td>P</td> <td>Pipe Socket Weld</td> </tr> </thead></table>	Port Type		P	Pipe Socket Weld	<table border="1"> <thead> <tr> <th colspan="2">Mounting</th> </tr> <tr> <td colspan="2">Seal code G only</td> </tr> <tr> <td>U</td> <td>UNC mounting kit</td> </tr> <tr> <td>M</td> <td>Metric mounting kit</td> </tr> <tr> <td colspan="2">Seal code G or F</td> </tr> <tr> <td>X</td> <td>No kit included UNC mounting holes</td> </tr> <tr> <td>Y</td> <td>No kit included Metric mounting holes</td> </tr> </thead></table>	Mounting		Seal code G only		U	UNC mounting kit	M	Metric mounting kit	Seal code G or F		X	No kit included UNC mounting holes	Y	No kit included Metric mounting holes
Flange Size																																																																																																				
Rating code 1 or 2																																																																																																				
08	0.50"																																																																																																			
12	0.75"																																																																																																			
16	1.00"																																																																																																			
20	1.25"																																																																																																			
24	1.50"																																																																																																			
32	2.00"																																																																																																			
40	2.50"																																																																																																			
Rating code 1, 2 or 5																																																																																																				
48	3.00"																																																																																																			
Rating code 1 only																																																																																																				
56	3.50"																																																																																																			
64	4.00"																																																																																																			
Material																																																																																																				
S	Stainless Steel																																																																																																			
Product Type																																																																																																				
W	Flat Socket Weld																																																																																																			
Seal																																																																																																				
G	O-ring Groove																																																																																																			
F	Flat Face																																																																																																			
Rating Code																																																																																																				
1	Code 61 • SAE J518 3.5 - 35 MPa • ISO 6162-1																																																																																																			
2	Code 62 • SAE J518 40 MPa • ISO 6162-2																																																																																																			
5	500 PSI max for size -48 only																																																																																																			
Pipe Size																																																																																																				
Not all pipe sizes are available for each flange size. See chart next page.																																																																																																				
08	0.50"																																																																																																			
12	0.75"																																																																																																			
16	1.00"																																																																																																			
20	1.25"																																																																																																			
24	1.50"																																																																																																			
32	2.00"																																																																																																			
40	2.50"																																																																																																			
48	3.00"																																																																																																			
56	3.50"																																																																																																			
64	4.00"																																																																																																			
Port Type																																																																																																				
P	Pipe Socket Weld																																																																																																			
Mounting																																																																																																				
Seal code G only																																																																																																				
U	UNC mounting kit																																																																																																			
M	Metric mounting kit																																																																																																			
Seal code G or F																																																																																																				
X	No kit included UNC mounting holes																																																																																																			
Y	No kit included Metric mounting holes																																																																																																			

Flat Socket Weld Pipe

Stainless Steel

CODE 61 FLAT SOCKET WELD - PIPE																	
FLANGE SIZE	PIPE SIZE	A	B	C	D	E	F	G	H	J	K DIA THRU		L THREAD		MOUNTING HARDWARE SHCS		
											Mounting U or X	Mounting M or Y	UNC-2B U or X	ISO 6H M or Y	O-RING	Mounting U	Mounting M
0.50	0.50	1.50	2.12	.688	1.500	.69	.38	1.000	.502	.860	.344	8.5mm	0.313-18	M8-1.25	210	0.313-18x1.25	M8-1.25x30
0.75	0.75	1.75	2.62	.875	1.875	.94	.50	1.250	.752	1.070	.406	10.5mm	0.375-16	M10-1.5	214	0.375-16x1.75	M10-1.5x45
1.00	1.00	2.00	2.82	1.031	2.062	.94	.50	1.560	1.002	1.335	.406	10.5mm	0.375-16	M10-1.5	219	0.375-16x1.75	M10-1.5x45
1.25	1.25	2.50	3.19	1.188	2.312	.94	.50	1.750	1.252	1.680	.469	10.5mm	0.438-14	M10-1.5	222	0.438-14x1.75	M10-1.5x45
1.50	1.50	2.75	3.75	1.406	2.750	1.19	.50	2.115	1.502	1.920	.531	12.5mm	0.500-13	M12-1.75	225	0.500-13x2.25	M12-1.75x55
2.00	2.00	3.25	4.00	1.688	3.062	1.44	.62	2.490	2.002	2.411	.531	12.5mm	0.500-13	M12-1.75	228	0.500-13x2.50	M12-1.75x65
2.50	2.50	4.00	4.50	2.000	3.500	1.69	.75	2.995	2.502	2.911	.531	12.5mm	0.500-13	M12-1.75	232	0.500-13x2.75	M12-1.75x70
3.00	3.00	4.50	5.31	2.438	4.188	2.12	1.24	3.615	3.002	3.540	.656	16.5mm	0.625-11	M16-2.0	237	0.625-11x3.50	M16-2.0x90
3.00*	3.00	4.50	5.31	2.438	4.188	1.38	1.13	3.615	3.002	3.540	.656	16.5mm	0.625-11	M16-2.0	237	0.625-11x2.50	M16-2.0x65
3.50	3.50	5.00	6.00	2.750	4.750	1.44	1.19	4.095	3.502	4.054	.656	16.5mm	0.625-11	M16-2.0	241	0.625-11x2.50	M16-2.0x65
4.00	4.00	5.50	6.38	3.062	5.125	1.45	1.20	4.595	4.002	4.550	.656	16.5mm	0.625-11	M16-2.0	245	0.625-11x2.50	M16-2.0x65

*Use Rating Code 5 to order this flange.

CODE 62 FLAT SOCKET WELD - PIPE																	
FLANGE SIZE	PIPE SIZE	A	B	C	D	E	F	G	H	J	K DIA THRU		L THREAD		MOUNTING HARDWARE SHCS		
											Mounting U or X	Mounting M or Y	UNC-2B U or X	ISO 6H M or Y	O-RING	Mounting U	Mounting M
0.50	0.50	1.75	2.22	.718	1.594	.940	.50	1.000	.502	.860	.344	8.5mm	0.313-18	M8-1.25	210	0.313-18x1.50	M8-1.25x30
0.75	0.75	2.00	2.81	.937	2.000	.940	.50	1.250	.752	1.070	.406	10.5mm	0.375-16	M10-1.5	214	0.375-16x1.75	M10-1.5x45
1.00	1.00	2.25	3.19	1.093	2.250	.940	.50	1.560	1.002	1.335	.492	12.5mm	0.438-14	M12-1.75	219	0.438-14x1.75	M12-1.75x45
1.25	1.25	2.75	3.75	1.250	2.625	1.19	.50	1.750	1.252	1.672	.531	12.5mm	0.500-13	M12-1.75	222	0.500-13x2.25	M12-1.75x55
1.50	1.50	3.25	4.50	1.437	3.125	1.44	.50	2.115	1.502	1.920	.656	16.5mm	0.625-11	M16-2.0	225	0.625-11x2.75	M16-2.0x70
2.00	2.00	4.00	5.25	1.750	3.812	1.69	.62	2.490	2.002	2.411	.781	21.0mm	0.750-10	M20-2.5	228	0.750-10x3.00	M20-2.5x75
2.50	2.50	5.00	6.88	2.312	4.875	1.94	.62	2.995	2.502	2.911	.906	25.0mm	0.875-9	M24-3.0	232	0.875-9x3.50	M24-3.0x90
3.00	3.00	6.00	8.50	2.812	6.000	2.44	.62	3.615	3.002	3.540	1.190	31.0mm	1-1/8-7	M30-3.5	237	1-1/8-7x4.50	M30-3.5x110

Pressure Ratings and Fastener Torque Values

CODE 61 SAE J518-1 / ISO 6162-1						
Dash Size	Inch Size	Max Working Pressure		Fastener Torque Value		
		PSI	MPa	Grade 8 UNC (lb-ft)	Grade 10.9 Metric (N-m)	
-8	0.50"	5000	35.0	24	32	
-12	0.75"	5000	35.0	44	70	
-16	1.00"	4600	32.0	44	70	
-20	1.25"	4000	28.0	68	70	
-24	1.50"	3000	21.0	111	130	
-32	2.00"	3000	21.0	111	130	
-40	2.50"	2500	17.5	111	130	
-48	3.00"	2300	16.0	218	295	
-56	3.50"	500	3.5	218	295	
-64	4.00"	500	3.5	218	295	
-80	5.00"	500	3.5	218	295	

CODE 62 SAE J518-2 / ISO 6162-2						
Dash Size	Inch Size	Max Working Pressure		Fastener Torque Value		
		PSI	MPa	Grade 8 UNC (lb-ft)	Grade 10.9 Metric (N-m)	
-8	0.50"	6000	40.0	24	32	
-12	0.75"	6000	40.0	44	70	
-16	1.00"	6000	40.0	68	130	
-20	1.25"	6000	40.0	111	130	
-24	1.50"	6000	40.0	218	295	
-32	2.00"	6000	40.0	332	550	

Please note that all pressure ratings in this catalog refer to the flange connection. Adapting the flange to other connections, such as braze tube, welded pipe, or threaded ports / stud ends could reduce maximum working pressure.