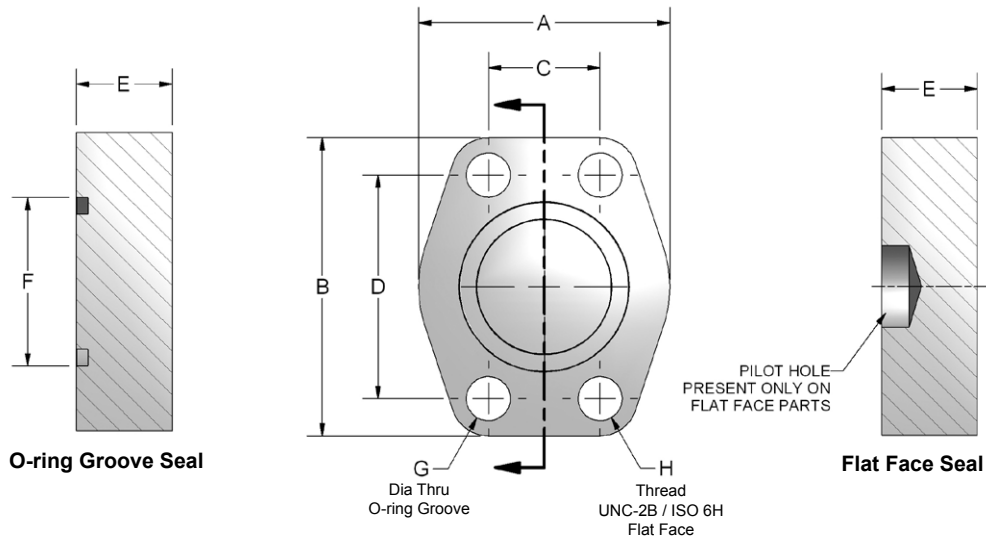
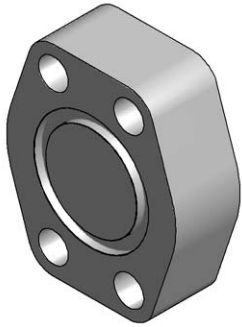


Blanking Plate

Carbon Steel



Ordering Information

FG	Flange Size	Material	Product Type	Seal	Rating Code	Mounting
	Rating code 1 or 2	C Carbon Steel	K Blanking Plate	G O-ring Groove F Flat Face		Seal code G only
08	0.50"					U UNC mounting kit
12	0.75"					M Metric mounting kit
16	1.00"					Seal code G or F
20	1.25"					X No kit included UNC mounting holes
24	1.50"					Y No kit included Metric mounting holes
32	2.00"					
40	2.50"					
48	3.00"					
	Rating code 1 only					
56	3.50"					
64	4.00"					
80	5.00"					
					Rating Code	
					1	Code 61 • SAE J518 3.5 - 35 MPa • ISO 6162-1
					2	Code 62 • SAE J518 40 MPa • ISO 6162-2



Blanking Plate

Carbon Steel

CODE 61 BLANKING PLATE													
FLANGE SIZE	A	B	C	D	E	F	G DIA THRU		H THREAD		MOUNTING HARDWARE SHCS		
							Mounting U or X	Mounting M or Y	UNC-2B U or X	ISO 6H M or Y	O-RING	Mounting U	Mounting M
0.50	1.813	2.125	.688	1.50	.75	1.000	.344	8.5mm	0.313-18	M8-1.25	210	0.313-18x1.50	M8-1.25x40
0.75	2.063	2.563	.875	1.875	.75	1.250	.406	10.5mm	0.375-16	M10-1.5	214	0.375-16x1.50	M10-1.5x40
1.00	2.313	2.750	1.031	2.063	.88	1.560	.406	10.5mm	0.375-16	M10-1.5	219	0.375-16x1.75	M10-1.5x45
1.25	2.875	3.125	1.188	2.313	.94	1.750	.469	10.5mm	0.438-14	M10-1.5	222	0.438-14x1.75	M10-1.5x45
1.50	3.250	3.688	1.406	2.750	1.19	2.115	.531	12.5mm	0.500-13	M12-1.75	225	0.500-13x2.25	M12-1.75x55
2.00	3.813	4.000	1.688	3.063	1.44	2.490	.531	12.5mm	0.500-13	M12-1.75	228	0.500-13x2.50	M12-1.75x65
2.50	4.281	4.500	2.000	3.500	1.82	2.995	.531	12.5mm	0.500-13	M12-1.75	232	0.500-13x2.75	M12-1.75x70
3.00	5.156	5.313	2.438	4.188	2.19	3.615	.656	16.5mm	0.625-11	M16-2.0	237	0.625-11x3.50	M16-2.0x90
3.50	5.500	6.000	2.750	4.750	1.44	4.095	.656	16.5mm	0.625-11	M16-2.0	241	0.625-11x2.75	M16-2.0x70
4.00	6.00	6.38	3.062	5.125	1.44	4.595	.656	16.5mm	0.625-11	M16-2.0	245	0.625-11x2.75	M16-2.0x70
5.00	7.12	7.25	3.625	6.000	1.75	5.595	.656	16.5mm	0.625-11	M16-2.0	253	0.625-11x3.00	M16-2.0x75

CODE 62 BLANKING PLATE													
FLANGE SIZE	A	B	C	D	E	F	G DIA THRU		H THREAD		MOUNTING HARDWARE SHCS		
							Mounting U or X	Mounting M or Y	UNC-2B U or X	ISO 6H M or Y	O-RING	Mounting U	Mounting M
0.50	1.94	2.30	.718	1.594	1.25	1.000	.344	8.5mm	0.313-18	M8-1.25	210	0.313-18x2.00	M8-1.25x50
0.75	2.50	2.95	.937	2.000	1.25	1.250	.406	10.5mm	0.375-16	M10-1.5	214	0.375-16x2.00	M10-1.5x50
1.00	2.75	3.19	1.093	2.250	1.50	1.560	.492	12.5mm	0.438-14	M12-1.75	219	0.438-14x2.50	M12-1.75x65
1.25	3.06	3.75	1.250	2.625	1.43	1.750	.531	12.5mm	0.500-13	M12-1.75	222	0.500-13x2.50	M12-1.75x65
1.50	3.75	4.44	1.437	3.125	1.82	2.115	.656	16.5mm	0.625-11	M16-2.0	225	0.625-11x3.00	M16-2.0x75
2.00	4.50	5.25	1.750	3.812	1.82	2.490	.781	21.0mm	0.750-10	M20-2.5	228	0.750-10x3.00	M20-2.5x75
2.50	5.87	6.87	2.312	4.875	1.93	2.995	.906	25.0mm	0.875-9	M24-3.0	232	0.875-9x3.50	M24-3.0x90
3.00	7.00	8.50	2.812	6.000	2.69	3.615	1.190	31.0mm	1.125-7	M30-3.5	237	1.125-7x4.50	M30-3.5x110

Pressure Ratings and Fastener Torque Values

CODE 61 SAE J518-1 / ISO 6162-1						
Dash Size	Inch Size	Max Working Pressure		Fastener Torque Value		
		PSI	MPa	Grade 8 UNC (lb-ft)	Grade 10.9 Metric (N-m)	
-8	0.50"	5000	35.0	24	32	
-12	0.75"	5000	35.0	44	70	
-16	1.00"	4600	32.0	44	70	
-20	1.25"	4000	28.0	68	70	
-24	1.50"	3000	21.0	111	130	
-32	2.00"	3000	21.0	111	130	
-40	2.50"	2500	17.5	111	130	
-48	3.00"	2300	16.0	218	295	
-56	3.50"	500	3.5	218	295	
-64	4.00"	500	3.5	218	295	
-80	5.00"	500	3.5	218	295	

CODE 62 SAE J518-2 / ISO 6162-2						
Dash Size	Inch Size	Max Working Pressure		Fastener Torque Value		
		PSI	MPa	Grade 8 UNC (lb-ft)	Grade 10.9 Metric (N-m)	
-8	0.50"	6000	40.0	24	32	
-12	0.75"	6000	40.0	44	70	
-16	1.00"	6000	40.0	68	130	
-20	1.25"	6000	40.0	111	130	
-24	1.50"	6000	40.0	218	295	
-32	2.00"	6000	40.0	332	550	

Please note that all pressure ratings in this catalog refer to the flange connection. Adapting the flange to other connections, such as braze tube, welded pipe, or threaded ports / stud ends could reduce maximum working pressure.