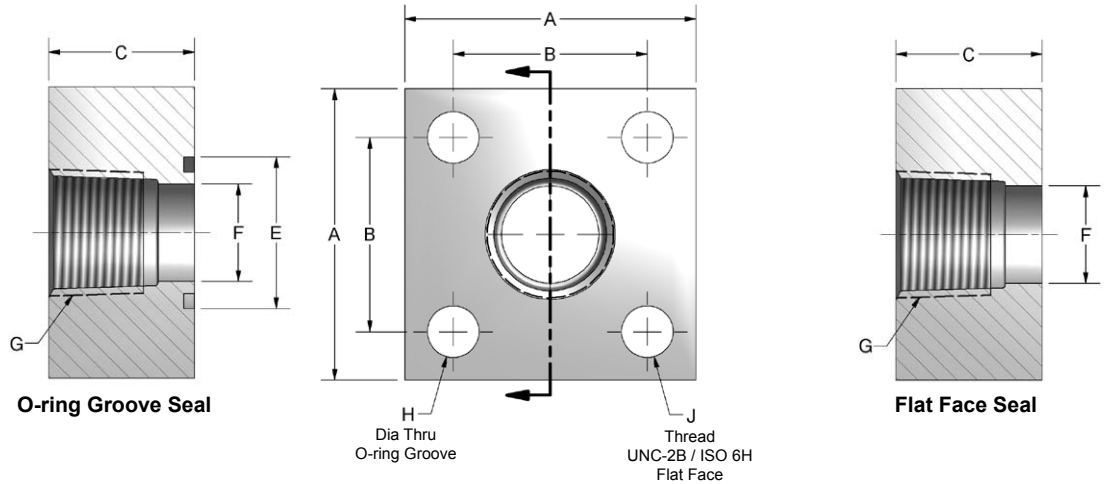
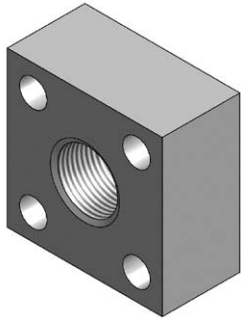


3000 Series Square Pattern

NPTF Port



Ordering Information

FG	Flange Size	Material	Product Type	Seal	Rating Code	Port Size	Port Type	Mounting																																																																				
	<table border="1"> <thead> <tr> <th colspan="2">Flange Size</th> </tr> </thead> <tbody> <tr> <td>12</td> <td>0.75"</td> </tr> <tr> <td>16</td> <td>1.00"</td> </tr> <tr> <td>20</td> <td>1.25"</td> </tr> <tr> <td>24</td> <td>1.50"</td> </tr> <tr> <td>32</td> <td>2.00"</td> </tr> <tr> <td>40</td> <td>2.50"</td> </tr> <tr> <td>48</td> <td>3.00"</td> </tr> </tbody> </table>	Flange Size		12	0.75"	16	1.00"	20	1.25"	24	1.50"	32	2.00"	40	2.50"	48	3.00"	<table border="1"> <thead> <tr> <th colspan="2">Material</th> </tr> </thead> <tbody> <tr> <td>C</td> <td>Carbon Steel</td> </tr> <tr> <td>S</td> <td>Stainless Steel</td> </tr> </tbody> </table>	Material		C	Carbon Steel	S	Stainless Steel	<table border="1"> <thead> <tr> <th colspan="2">Product Type</th> </tr> </thead> <tbody> <tr> <td>N</td> <td>Square Pattern Female NPTF Port</td> </tr> </tbody> </table>	Product Type		N	Square Pattern Female NPTF Port	<table border="1"> <thead> <tr> <th colspan="2">Seal</th> </tr> </thead> <tbody> <tr> <td>G</td> <td>O-ring Groove</td> </tr> <tr> <td>F</td> <td>Flat Face</td> </tr> </tbody> </table>	Seal		G	O-ring Groove	F	Flat Face	<table border="1"> <thead> <tr> <th colspan="2">Rating Code</th> </tr> </thead> <tbody> <tr> <td>3</td> <td>3000 Series</td> </tr> </tbody> </table>	Rating Code		3	3000 Series	<table border="1"> <thead> <tr> <th colspan="2">Port Size</th> </tr> </thead> <tbody> <tr> <td colspan="2">Not all port sizes are available for each flange size. See chart next page.</td> </tr> <tr> <td>12</td> <td>0.75"</td> </tr> <tr> <td>16</td> <td>1.00"</td> </tr> <tr> <td>20</td> <td>1.25"</td> </tr> <tr> <td>24</td> <td>1.50"</td> </tr> <tr> <td>32</td> <td>2.00"</td> </tr> <tr> <td>40</td> <td>2.50"</td> </tr> <tr> <td>48</td> <td>3.00"</td> </tr> </tbody> </table>	Port Size		Not all port sizes are available for each flange size. See chart next page.		12	0.75"	16	1.00"	20	1.25"	24	1.50"	32	2.00"	40	2.50"	48	3.00"	<table border="1"> <thead> <tr> <th colspan="2">Port Type</th> </tr> </thead> <tbody> <tr> <td>P</td> <td>NPTF ANSI B1.20.3</td> </tr> </tbody> </table>	Port Type		P	NPTF ANSI B1.20.3	<table border="1"> <thead> <tr> <th colspan="2">Mounting</th> </tr> </thead> <tbody> <tr> <td colspan="2">Seal code G only</td> </tr> <tr> <td>U</td> <td>UNC mounting kit</td> </tr> <tr> <td colspan="2">Seal code G or F</td> </tr> <tr> <td>X</td> <td>No kit included UNC mounting holes</td> </tr> </tbody> </table>	Mounting		Seal code G only		U	UNC mounting kit	Seal code G or F		X	No kit included UNC mounting holes
Flange Size																																																																												
12	0.75"																																																																											
16	1.00"																																																																											
20	1.25"																																																																											
24	1.50"																																																																											
32	2.00"																																																																											
40	2.50"																																																																											
48	3.00"																																																																											
Material																																																																												
C	Carbon Steel																																																																											
S	Stainless Steel																																																																											
Product Type																																																																												
N	Square Pattern Female NPTF Port																																																																											
Seal																																																																												
G	O-ring Groove																																																																											
F	Flat Face																																																																											
Rating Code																																																																												
3	3000 Series																																																																											
Port Size																																																																												
Not all port sizes are available for each flange size. See chart next page.																																																																												
12	0.75"																																																																											
16	1.00"																																																																											
20	1.25"																																																																											
24	1.50"																																																																											
32	2.00"																																																																											
40	2.50"																																																																											
48	3.00"																																																																											
Port Type																																																																												
P	NPTF ANSI B1.20.3																																																																											
Mounting																																																																												
Seal code G only																																																																												
U	UNC mounting kit																																																																											
Seal code G or F																																																																												
X	No kit included UNC mounting holes																																																																											



3000 Series Square Pattern

NPTF Port

3000 SERIES SQUARE PATTERN - NPTF PORT										
FLANGE SIZE	A	B	C	E	F	G NPTF	H DIA THRU	J THREAD	MOUNTING HARDWARE SHCS	
							Mounting U or X	UNC-2B U or X	O-RING	Mounting U
0.75	2.25	1.438	1.25	1.250	.752	.75	.406	0.375-16	214	0.375-16x2.00
1.00	3.00	2.000	1.50	1.560	1.002	1.00	.531	0.500-13	219	0.500-13x2.25
1.25	3.00	2.000	1.50	1.750	1.252	1.25	.531	0.500-13	222	0.500-13x2.25
1.50	4.00	2.750	1.75	2.115	1.502	1.50	.656	0.625-11	225	0.625-11x2.75
2.00	4.00	2.750	1.75	2.490	2.002	2.00	.656	0.625-11	228	0.625-11x2.75
2.50	5.50	3.750	2.25	2.995	2.502	2.50	.906	0.875-9	232	0.875-9x3.50
3.00	5.50	3.750	2.25	3.615	3.002	3.00	.906	0.875-9	237	0.875-9x3.50