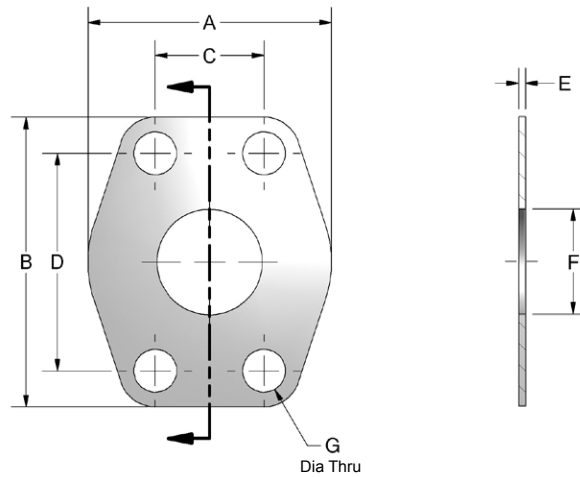


# Connector Plate



## Ordering Information

FP	Flange Size	Material	Product Type	Rating Code	Mounting																																												
	<table border="1"> <thead> <tr> <th colspan="2">Flange Size</th> </tr> </thead> <tbody> <tr> <td colspan="2">Rating code 1 only</td> </tr> <tr> <td><b>08</b></td> <td>0.50"</td> </tr> <tr> <td colspan="2">Rating code 1 or 2</td> </tr> <tr> <td><b>12</b></td> <td>0.75"</td> </tr> <tr> <td><b>16</b></td> <td>1.00"</td> </tr> <tr> <td><b>20</b></td> <td>1.25"</td> </tr> <tr> <td><b>24</b></td> <td>1.50"</td> </tr> <tr> <td><b>32</b></td> <td>2.00"</td> </tr> <tr> <td colspan="2">Rating code 1 only</td> </tr> <tr> <td><b>40</b></td> <td>2.50"</td> </tr> <tr> <td><b>48</b></td> <td>3.00"</td> </tr> </tbody> </table>	Flange Size		Rating code 1 only		<b>08</b>	0.50"	Rating code 1 or 2		<b>12</b>	0.75"	<b>16</b>	1.00"	<b>20</b>	1.25"	<b>24</b>	1.50"	<b>32</b>	2.00"	Rating code 1 only		<b>40</b>	2.50"	<b>48</b>	3.00"	<table border="1"> <thead> <tr> <th colspan="2">Material</th> </tr> </thead> <tbody> <tr> <td><b>C</b></td> <td>Carbon Steel</td> </tr> </tbody> </table>	Material		<b>C</b>	Carbon Steel	<table border="1"> <thead> <tr> <th colspan="2">Product Type</th> </tr> </thead> <tbody> <tr> <td><b>P</b></td> <td>Connector Plate</td> </tr> </tbody> </table>	Product Type		<b>P</b>	Connector Plate	<table border="1"> <thead> <tr> <th colspan="2">Rating Code</th> </tr> </thead> <tbody> <tr> <td><b>1</b></td> <td>Code 61 • SAE J518 3.5 - 35 MPa • ISO 6162-1</td> </tr> <tr> <td><b>2</b></td> <td>Code 62 • SAE J518 40 MPa • ISO 6162-2</td> </tr> </tbody> </table>	Rating Code		<b>1</b>	Code 61 • SAE J518 3.5 - 35 MPa • ISO 6162-1	<b>2</b>	Code 62 • SAE J518 40 MPa • ISO 6162-2	<table border="1"> <thead> <tr> <th colspan="2">Mounting</th> </tr> </thead> <tbody> <tr> <td><b>X</b></td> <td>No kit included UNC mounting holes</td> </tr> <tr> <td><b>Y</b></td> <td>No kit included Metric mounting holes</td> </tr> </tbody> </table>	Mounting		<b>X</b>	No kit included UNC mounting holes	<b>Y</b>	No kit included Metric mounting holes
Flange Size																																																	
Rating code 1 only																																																	
<b>08</b>	0.50"																																																
Rating code 1 or 2																																																	
<b>12</b>	0.75"																																																
<b>16</b>	1.00"																																																
<b>20</b>	1.25"																																																
<b>24</b>	1.50"																																																
<b>32</b>	2.00"																																																
Rating code 1 only																																																	
<b>40</b>	2.50"																																																
<b>48</b>	3.00"																																																
Material																																																	
<b>C</b>	Carbon Steel																																																
Product Type																																																	
<b>P</b>	Connector Plate																																																
Rating Code																																																	
<b>1</b>	Code 61 • SAE J518 3.5 - 35 MPa • ISO 6162-1																																																
<b>2</b>	Code 62 • SAE J518 40 MPa • ISO 6162-2																																																
Mounting																																																	
<b>X</b>	No kit included UNC mounting holes																																																
<b>Y</b>	No kit included Metric mounting holes																																																

# Connector Plate

CODE 61 CONNECTOR PLATE								
FLANGE SIZE	A	B	C	D	E	F	G DIA THRU	
							Mounting X	Mounting Y
0.50	1.81	2.12	.688	1.500	0.060	.50	.344	8.5mm
0.75	2.06	2.56	.875	1.875	0.060	.75	.406	10.5mm
1.00	2.31	2.75	1.031	2.062	0.060	1.00	.406	10.5mm
1.25	2.88	3.12	1.188	2.312	0.060	1.25	.469	10.5mm
1.50	3.25	3.69	1.406	2.750	0.060	1.50	.531	12.5mm
2.00	3.81	4.00	1.688	3.062	0.060	2.00	.531	12.5mm
2.50	4.12	4.44	2.000	3.500	0.060	2.50	.531	12.5mm
3.00	5.16	5.31	2.438	4.188	0.060	3.00	.656	16.5mm

CODE 62 CONNECTOR PLATE								
FLANGE SIZE	A	B	C	D	E	F	G DIA THRU	
							Mounting X	Mounting Y
0.75	2.38	2.81	.937	2.000	0.060	.75	.406	10.5mm
1.00	2.75	3.19	1.093	2.250	0.060	1.00	.492	12.5mm
1.25	3.06	3.75	1.250	2.625	0.060	1.25	.531	12.5mm
1.50	3.75	4.44	1.437	3.125	0.060	1.50	.656	16.5mm
2.00	4.50	5.25	1.750	3.812	0.060	2.00	.781	21.0mm

## Pressure Ratings and Fastener Torque Values

CODE 61 SAE J518-1 / ISO 6162-1					
Dash Size	Inch Size	Max Working Pressure		Fastener Torque Value	
		PSI	MPa	Grade 8 UNC (lb-ft)	Grade 10.9 Metric (N-m)
-8	0.50"	5000	35.0	24	32
-12	0.75"	5000	35.0	44	70
-16	1.00"	4600	32.0	44	70
-20	1.25"	4000	28.0	68	70
-24	1.50"	3000	21.0	111	130
-32	2.00"	3000	21.0	111	130
-40	2.50"	2500	17.5	111	130
-48	3.00"	2300	16.0	218	295
-56	3.50"	500	3.5	218	295
-64	4.00"	500	3.5	218	295
-80	5.00"	500	3.5	218	295

CODE 62 SAE J518-2 / ISO 6162-2					
Dash Size	Inch Size	Max Working Pressure		Fastener Torque Value	
		PSI	MPa	Grade 8 UNC (lb-ft)	Grade 10.9 Metric (N-m)
-8	0.50"	6000	40.0	24	32
-12	0.75"	6000	40.0	44	70
-16	1.00"	6000	40.0	68	130
-20	1.25"	6000	40.0	111	130
-24	1.50"	6000	40.0	218	295
-32	2.00"	6000	40.0	332	550

Please note that all pressure ratings in this catalog refer to the flange connection. Adapting the flange to other connections, such as braze tube, welded pipe, or threaded ports / stud ends could reduce maximum working pressure.