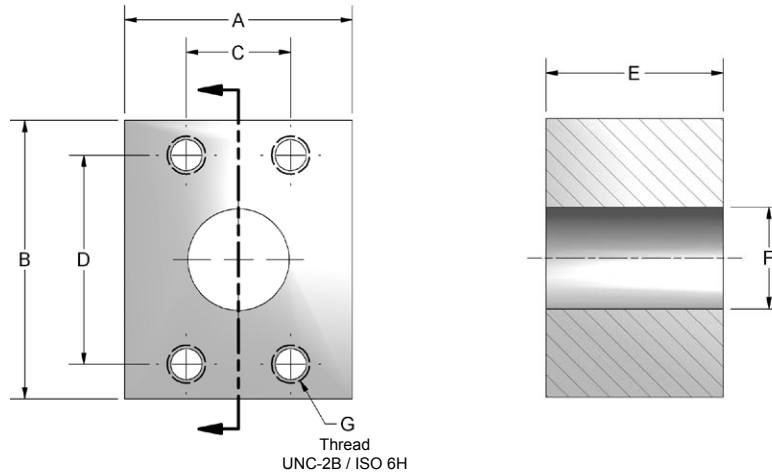
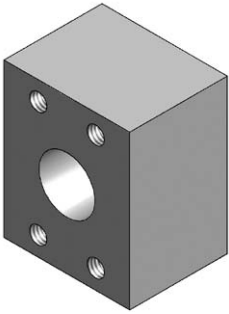


Connector Block



Ordering Information

FP	Flange Size	Material	Product Type	Rating Code	Mounting																																								
	<table border="1"> <thead> <tr> <th colspan="2">Flange Size</th> </tr> </thead> <tbody> <tr> <td colspan="2">Rating code 1 or 2</td> </tr> <tr> <td>08</td> <td>0.50"</td> </tr> <tr> <td>12</td> <td>0.75"</td> </tr> <tr> <td>16</td> <td>1.00"</td> </tr> <tr> <td>20</td> <td>1.25"</td> </tr> <tr> <td>24</td> <td>1.50"</td> </tr> <tr> <td>32</td> <td>2.00"</td> </tr> <tr> <td colspan="2">Rating code 1 only</td> </tr> <tr> <td>40</td> <td>2.50"</td> </tr> </tbody> </table>	Flange Size		Rating code 1 or 2		08	0.50"	12	0.75"	16	1.00"	20	1.25"	24	1.50"	32	2.00"	Rating code 1 only		40	2.50"	<table border="1"> <thead> <tr> <th colspan="2">Material</th> </tr> </thead> <tbody> <tr> <td>C</td> <td>Carbon Steel</td> </tr> </tbody> </table>	Material		C	Carbon Steel	<table border="1"> <thead> <tr> <th colspan="2">Product Type</th> </tr> </thead> <tbody> <tr> <td>N</td> <td>Connector Block</td> </tr> </tbody> </table>	Product Type		N	Connector Block	<table border="1"> <thead> <tr> <th colspan="2">Rating Code</th> </tr> </thead> <tbody> <tr> <td>1</td> <td>Code 61 • SAE J518 3.5 - 35 MPa • ISO 6162-1</td> </tr> <tr> <td>2</td> <td>Code 62 • SAE J518 40 MPa • ISO 6162-2</td> </tr> </tbody> </table>	Rating Code		1	Code 61 • SAE J518 3.5 - 35 MPa • ISO 6162-1	2	Code 62 • SAE J518 40 MPa • ISO 6162-2	<table border="1"> <thead> <tr> <th colspan="2">Mounting</th> </tr> </thead> <tbody> <tr> <td>X</td> <td>No kit included UNC mounting holes</td> </tr> <tr> <td>Y</td> <td>No kit included Metric mounting holes</td> </tr> </tbody> </table>	Mounting		X	No kit included UNC mounting holes	Y	No kit included Metric mounting holes
Flange Size																																													
Rating code 1 or 2																																													
08	0.50"																																												
12	0.75"																																												
16	1.00"																																												
20	1.25"																																												
24	1.50"																																												
32	2.00"																																												
Rating code 1 only																																													
40	2.50"																																												
Material																																													
C	Carbon Steel																																												
Product Type																																													
N	Connector Block																																												
Rating Code																																													
1	Code 61 • SAE J518 3.5 - 35 MPa • ISO 6162-1																																												
2	Code 62 • SAE J518 40 MPa • ISO 6162-2																																												
Mounting																																													
X	No kit included UNC mounting holes																																												
Y	No kit included Metric mounting holes																																												

Connector Block

CODE 61 CONNECTOR BLOCK								
FLANGE SIZE	A	B	C	D	E	F	G THREAD	
							UNC-2B Mounting X	ISO 6H Mounting Y
0.50	2.00	2.12	.688	1.500	1.75	.502	0.313-18	M8-1.25
0.75	2.00	2.62	.875	1.875	1.75	.752	0.375-16	M10-1.5
1.00	2.25	2.75	1.031	2.062	1.75	1.002	0.375-16	M10-1.5
1.25	3.00	3.19	1.188	2.312	2.125	1.252	0.438-14	M10-1.5
1.50	3.50	3.75	1.406	2.750	2.125	1.502	0.500-13	M12-1.75
2.00	3.88	4.00	1.688	3.062	2.125	1.942	0.500-13	M12-1.75
2.50	4.38	4.50	2.000	3.500	2.375	2.442	0.500-13	M12-1.75

CODE 62 CONNECTOR BLOCK								
FLANGE SIZE	A	B	C	D	E	F	G THREAD	
							UNC-2B Mounting X	ISO 6H Mounting Y
0.50	2.00	2.22	.718	1.594	1.75	.502	0.313-18	M8-1.25
0.75	2.50	2.81	.937	2.000	2.00	.752	0.375-16	M10-1.5
1.00	2.75	3.19	1.093	2.250	2.00	1.002	0.438-14	M12-1.75
1.25	3.00	3.75	1.250	2.625	2.00	1.252	0.500-13	M12-1.75
1.50	3.88	4.50	1.437	3.125	2.50	1.502	0.625-11	M16-2.0
2.00	4.50	5.25	1.750	3.812	3.00	1.942	0.750-10	M20-2.5

Pressure Ratings and Fastener Torque Values

CODE 61 SAE J518-1 / ISO 6162-1					
Dash Size	Inch Size	Max Working Pressure		Fastener Torque Value	
		PSI	MPa	Grade 8 UNC (lb-ft)	Grade 10.9 Metric (N-m)
-8	0.50"	5000	35.0	24	32
-12	0.75"	5000	35.0	44	70
-16	1.00"	4600	32.0	44	70
-20	1.25"	4000	28.0	68	70
-24	1.50"	3000	21.0	111	130
-32	2.00"	3000	21.0	111	130
-40	2.50"	2500	17.5	111	130
-48	3.00"	2300	16.0	218	295
-56	3.50"	500	3.5	218	295
-64	4.00"	500	3.5	218	295
-80	5.00"	500	3.5	218	295

CODE 62 SAE J518-2 / ISO 6162-2					
Dash Size	Inch Size	Max Working Pressure		Fastener Torque Value	
		PSI	MPa	Grade 8 UNC (lb-ft)	Grade 10.9 Metric (N-m)
-8	0.50"	6000	40.0	24	32
-12	0.75"	6000	40.0	44	70
-16	1.00"	6000	40.0	68	130
-20	1.25"	6000	40.0	111	130
-24	1.50"	6000	40.0	218	295
-32	2.00"	6000	40.0	332	550

Please note that all pressure ratings in this catalog refer to the flange connection. Adapting the flange to other connections, such as braze tube, welded pipe, or threaded ports / stud ends could reduce maximum working pressure.