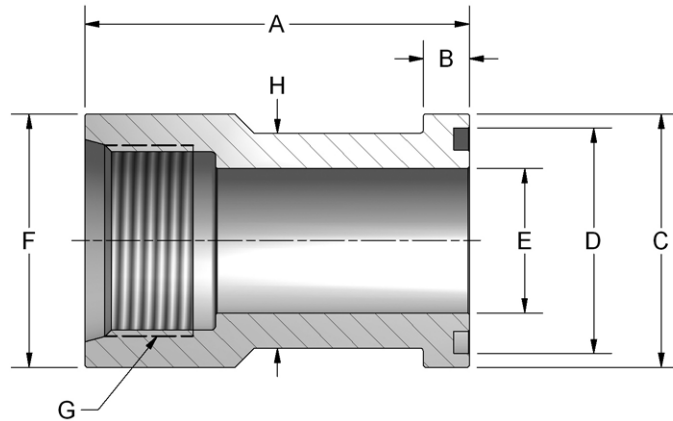
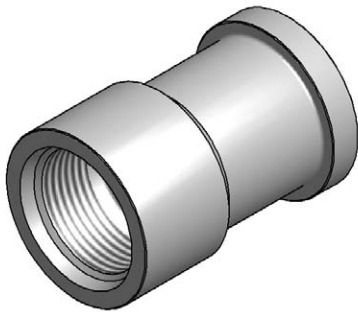


# Female Flange Head Adaptor

NPTF/SAE Port



## Ordering Information

FF	Flange Size	Material	Product Type	Seal	Rating Code	Port Size	Port Type																																														
	<table border="1"> <thead> <tr> <th colspan="2">Flange Size</th> </tr> </thead> <tbody> <tr> <td>12</td> <td>0.75"</td> </tr> <tr> <td>16</td> <td>1.00"</td> </tr> <tr> <td>20</td> <td>1.25"</td> </tr> <tr> <td>24</td> <td>1.50"</td> </tr> <tr> <td>32</td> <td>2.00"</td> </tr> </tbody> </table>	Flange Size		12	0.75"	16	1.00"	20	1.25"	24	1.50"	32	2.00"	<table border="1"> <thead> <tr> <th colspan="2">Material</th> </tr> </thead> <tbody> <tr> <td>C</td> <td>Carbon Steel</td> </tr> </tbody> </table>	Material		C	Carbon Steel	<table border="1"> <thead> <tr> <th colspan="2">Product Type</th> </tr> </thead> <tbody> <tr> <td>F</td> <td>Female Port</td> </tr> </tbody> </table>	Product Type		F	Female Port	<table border="1"> <thead> <tr> <th colspan="2">Seal</th> </tr> </thead> <tbody> <tr> <td>G</td> <td>O-ring Groove</td> </tr> </tbody> </table>	Seal		G	O-ring Groove	<table border="1"> <thead> <tr> <th colspan="2">Rating Code</th> </tr> </thead> <tbody> <tr> <td>1</td> <td>Code 61 • SAE J518 3.5 - 35 MPa • ISO 6162-1</td> </tr> </tbody> </table>	Rating Code		1	Code 61 • SAE J518 3.5 - 35 MPa • ISO 6162-1	<p>Not all port sizes are available for each flange size. See chart next page.</p> <table border="1"> <thead> <tr> <th colspan="2">Port Size</th> </tr> </thead> <tbody> <tr> <td>12</td> <td>0.75"</td> </tr> <tr> <td>16</td> <td>1.00"</td> </tr> <tr> <td>20</td> <td>1.25"</td> </tr> <tr> <td>24</td> <td>1.50"</td> </tr> <tr> <td>32</td> <td>2.00"</td> </tr> </tbody> </table>	Port Size		12	0.75"	16	1.00"	20	1.25"	24	1.50"	32	2.00"	<table border="1"> <thead> <tr> <th colspan="2">Port Type</th> </tr> </thead> <tbody> <tr> <td>P</td> <td>NPTF ANSI B1.20.3</td> </tr> <tr> <td>S</td> <td>SAE ISO 11926-1</td> </tr> </tbody> </table>	Port Type		P	NPTF ANSI B1.20.3	S	SAE ISO 11926-1
Flange Size																																																					
12	0.75"																																																				
16	1.00"																																																				
20	1.25"																																																				
24	1.50"																																																				
32	2.00"																																																				
Material																																																					
C	Carbon Steel																																																				
Product Type																																																					
F	Female Port																																																				
Seal																																																					
G	O-ring Groove																																																				
Rating Code																																																					
1	Code 61 • SAE J518 3.5 - 35 MPa • ISO 6162-1																																																				
Port Size																																																					
12	0.75"																																																				
16	1.00"																																																				
20	1.25"																																																				
24	1.50"																																																				
32	2.00"																																																				
Port Type																																																					
P	NPTF ANSI B1.20.3																																																				
S	SAE ISO 11926-1																																																				

# Female Flange Head Adaptor

NPTF/SAE Port

CODE 61 NPTF PORT TO FLANGE HEAD									
FLANGE SIZE	NPTF PORT SIZE	A	B	C	D	E	F	G NPTF	H
0.75	0.75	2.47	.265	1.500	1.250	.75	1.50	0.75	1.234
1.00	1.00	2.66	.315	1.750	1.560	1.00	1.75	1.00	1.484
1.25	1.25	2.84	.315	2.000	1.750	1.25	2.00	1.25	1.684
1.50	1.50	3.00	.315	2.375	2.115	1.50	2.38	1.50	1.964
2.00	2.00	3.00	.375	2.812	2.490	2.00	2.81	2.00	2.434

O-ring not included.

CODE 61 SAE PORT TO FLANGE HEAD									
FLANGE SIZE	SAE PORT SIZE	A	B	C	D	E	F	G SAE	H
0.75	0.75	2.47	.265	1.500	1.250	.75	1.50	1.062-12	1.234
1.00	1.00	2.66	.315	1.750	1.560	1.00	1.75	1.312-12	1.484
1.25	1.25	2.84	.315	2.000	1.750	1.25	2.00	1.625-12	1.684
1.50	1.50	3.00	.315	2.375	2.115	1.50	2.38	1.875-12	1.964
2.00	2.00	3.00	.375	2.812	2.490	2.00	2.81	2.500-12	2.434

O-ring not included.

## Pressure Ratings and Fastener Torque Values

CODE 61 SAE J518-1 / ISO 6162-1					
Dash Size	Inch Size	Max Working Pressure		Fastener Torque Value	
		PSI	MPa	Grade 8 UNC (lb-ft)	Grade 10.9 Metric (N-m)
-8	0.50"	5000	35.0	24	32
-12	0.75"	5000	35.0	44	70
-16	1.00"	4600	32.0	44	70
-20	1.25"	4000	28.0	68	70
-24	1.50"	3000	21.0	111	130
-32	2.00"	3000	21.0	111	130
-40	2.50"	2500	17.5	111	130
-48	3.00"	2300	16.0	218	295
-56	3.50"	500	3.5	218	295
-64	4.00"	500	3.5	218	295
-80	5.00"	500	3.5	218	295

Please note that all pressure ratings in this catalog refer to the flange connection. Adapting the flange to other connections, such as braze tube, welded pipe, or threaded ports / stud ends could reduce maximum working pressure.