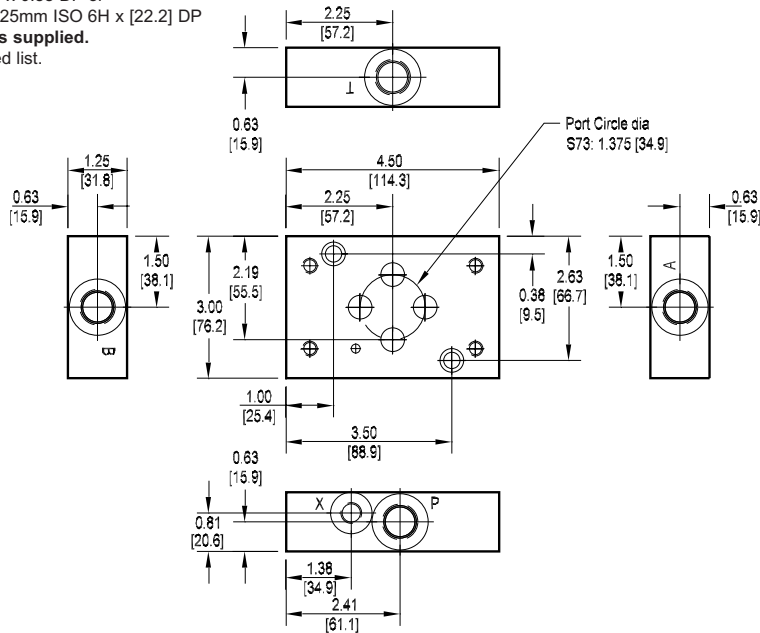


# Daman S73 Servo Subplate

## 1.375 Port Circle

### Side Ported Subplate

Valve mtg: UNC 0.31-18 x 0.88 DP or  
Metric M8-1.25mm ISO 6H x [22.2] DP  
Subplate hardware kit is supplied.  
See page 140 for itemized list.



Specifications, descriptions, and dimensional data are subject to correction or change without notice or incurring obligation. Download latest catalog page revisions at [www.damanifolds.com](http://www.damanifolds.com).

## Ordering Information

Material	Servo Valve Pattern	Product Type	Port Location	Port Threads																										
<table border="1"> <thead> <tr> <th colspan="2">Material</th> </tr> </thead> <tbody> <tr> <td><b>A</b></td> <td>Aluminum - 6061-T6 3000† psi • 20.7 MPa</td> </tr> <tr> <td><b>D</b></td> <td>Ductile Iron - D4512 5000† psi • 34.5 MPa</td> </tr> <tr> <td colspan="2">† Working pressure should be considered in accordance with ISO 4413 to determine appropriate material type.</td> </tr> </tbody> </table>	Material		<b>A</b>	Aluminum - 6061-T6 3000† psi • 20.7 MPa	<b>D</b>	Ductile Iron - D4512 5000† psi • 34.5 MPa	† Working pressure should be considered in accordance with ISO 4413 to determine appropriate material type.		<table border="1"> <thead> <tr> <th colspan="2">Servo Pattern</th> </tr> </thead> <tbody> <tr> <td><b>S73</b></td> <td>Daman S73 See page 125 and Tech Info</td> </tr> </tbody> </table>	Servo Pattern		<b>S73</b>	Daman S73 See page 125 and Tech Info	<table border="1"> <thead> <tr> <th colspan="2">Product Type</th> </tr> </thead> <tbody> <tr> <td><b>SP</b></td> <td>Subplate</td> </tr> </tbody> </table>	Product Type		<b>SP</b>	Subplate	<table border="1"> <thead> <tr> <th colspan="2">Port Location</th> </tr> </thead> <tbody> <tr> <td><b>S</b></td> <td>Side ported</td> </tr> </tbody> </table>	Port Location		<b>S</b>	Side ported	<table border="1"> <thead> <tr> <th colspan="2">Port Threads</th> </tr> </thead> <tbody> <tr> <td><b>8S</b></td> <td>-8 SAE ISO 11926; SAE 1926 (X port is -4 SAE)</td> </tr> <tr> <td><b>8M</b></td> <td>M18 x 1.5 ISO 6149 (X port is M10 x 1.0)</td> </tr> </tbody> </table>	Port Threads		<b>8S</b>	-8 SAE ISO 11926; SAE 1926 (X port is -4 SAE)	<b>8M</b>	M18 x 1.5 ISO 6149 (X port is M10 x 1.0)
Material																														
<b>A</b>	Aluminum - 6061-T6 3000† psi • 20.7 MPa																													
<b>D</b>	Ductile Iron - D4512 5000† psi • 34.5 MPa																													
† Working pressure should be considered in accordance with ISO 4413 to determine appropriate material type.																														
Servo Pattern																														
<b>S73</b>	Daman S73 See page 125 and Tech Info																													
Product Type																														
<b>SP</b>	Subplate																													
Port Location																														
<b>S</b>	Side ported																													
Port Threads																														
<b>8S</b>	-8 SAE ISO 11926; SAE 1926 (X port is -4 SAE)																													
<b>8M</b>	M18 x 1.5 ISO 6149 (X port is M10 x 1.0)																													